



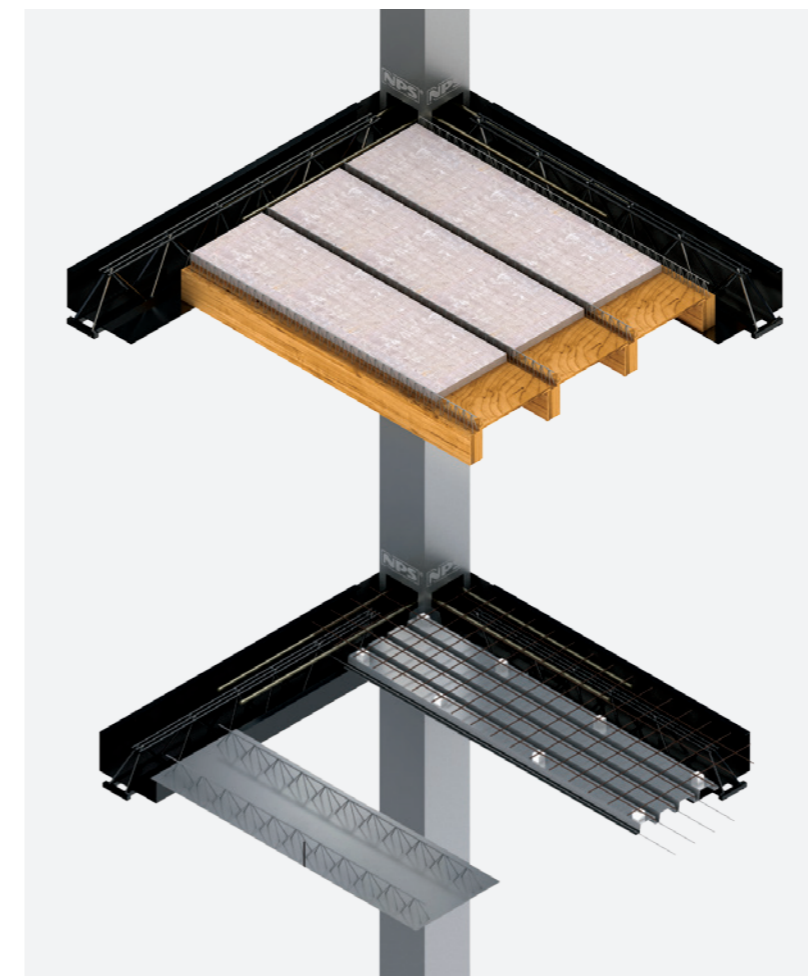
NEW PERFORMANCE SYSTEM



NEW PERFORMANCE SYSTEM

# ONE SINGLE SUPPLIER FOR YOUR STRUCTURE

FOR EASY PROJECT  
MANAGEMENT

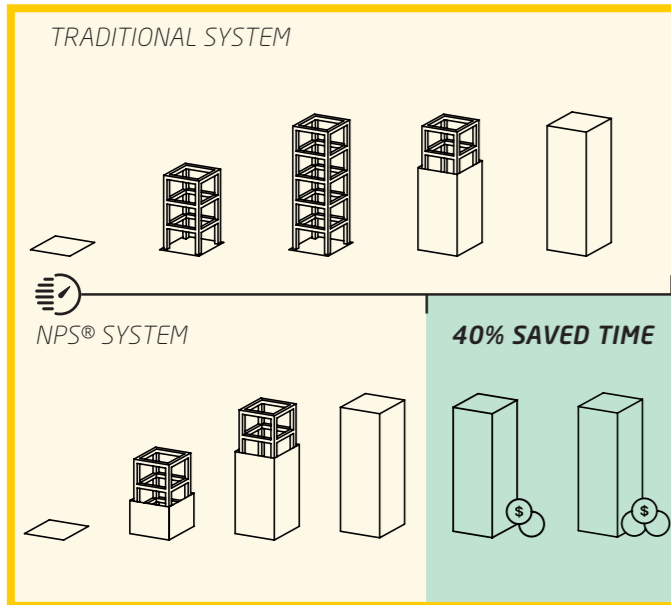


## YOUR BENEFITS

- You will **save time and effort** in managing your project having a **single supplier** to communicate with. We supply you with columns, beams and slabs, if required.
- The beams and columns are a **100% match**: connections between beam and column are proofed and without interferences.
- **Choose the slab you prefer**: NPS® beams and columns match with all type of ceilings.
- **We transform your ideas into structures**, working in cooperation with your technicians.
- **Full design service is included and drawings are signed by Tecnostruttura.**
- **We bear the responsibility** for the structure static design, one issue less for you and your team.



# QUICK AND SURE RETURN ON INVESTMENT THANKS TO SIMULTANEOUS ACTIVITIES AND PRECISE DELIVERY TIMETABLE



## YOUR BENEFITS

– With NPS® you get **an instant load bearing ceiling**, which permits you to work underneath immediately after placement. No need to wait 28 days until the concrete cures completely.

– This enables an **overlap of building phases**: during the placement of NPS® beam at level 2, the installer can work on level 0 and so on until the top of the building.

– Average **time saved** compared to traditional systems: **40%**

– No risk to delay. With NPS®, **weather conditions are not as crucial as with the traditional way of building**. This is why we can schedule our delivery precisely to the minute.

– **Final costs = budget cost** because there are very few unknown factors to manage.

– Limited building loss and **low maintenance costs** thanks to the long durability of NPS® steel-concrete structures.

Hotels must be ready for the touristic season. NPS® is the solution that ensure to respect the deadline. An example is Falkensteiner Hotel & Spa, Jesolo, Venice. Architects: Richard Meier and Matteo Thun.



NPS® long span beams has enabled to realize wide open spaces into i.lab. The building hosts Italcementi Headquarters and the Innovation Centre of HeidelbergerCement, Bergamo. Architectural concept by Richard Meier.

## YOUR BENEFITS

– **Customizable NPS® beam and columns** enable every architectural concept: tilted elements, cantilevers and demanding shapes.

– You can choose non visible beams or decide to **use the structure as a design element** of the inner spaces, without needing additional treatments.

– Standard grid up to 15 meters for buildings. For longer spans, additional analysis is needed.

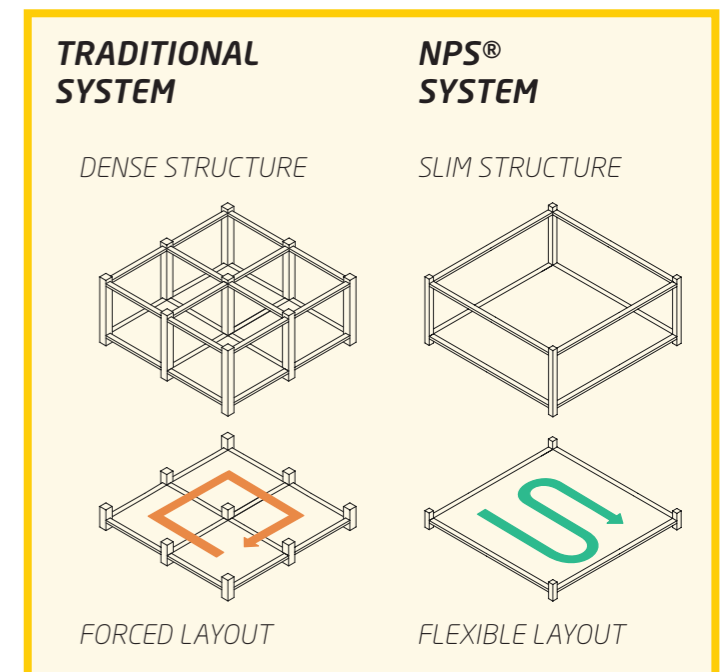
– **Ultraslim columns** let you maximize the inner space, having a bigger area to sell or rent. For example allowing for more parking spaces in a given building area.

– **Open spaces with many layout options** make your building easy to market.

– **Beams with less height and slim floors** give you more levels for a given building height or the choice to have a lower building, saving in cooling and heating costs.

– Using NPS® you are awarded credits for **the LEED certification**.

# BIGGER AREAS TO SELL OR RENT THANKS TO LONG SPAN BEAMS AND SLIM COLUMNS





## YOUR BENEFITS

– In just **5 minutes**, 2 workers and 1 crane operator can install an **NPS® beam**. In **8 minutes**, a multistory **column**.

With NPS® columns, you have done the work for 3 floors in the time it takes to build 1.

– **Using 80% less manpower** at the construction site compared to traditional systems. Strategic activities are carried out by our certified staff in the factory and CE marked.

– **No need for formworks and props for less waste**, more safety and tidier spaces, hence achieving LEED credits.

– **More safety** due to drastically less people on site and beam integrated safety devices.

– No storage area is needed. **NPS® elements are moved directly from the truck** to their final position.

– **NPS® elements are light**. This means they are easily transported as well as installed and your building requires smaller foundations. Lightness makes NPS® convenient.

# BUILD SAFELY IN JUST A FEW MINUTES, WITH ONLY 3 PEOPLE THANKS TO THE SMART “LEGO®” CONCEPT: THE ELEMENTS ARE SMART, THE PLACEMENT EASY.



# INTEGRATED FIRE PROOFING AND SEISMIC RESISTANCE FOR A READY-MADE SAFE STRUCTURE WITHOUT ADDITIONAL COSTS AND TIME

NPS® beams and columns with integrated fire proofing meant for the investor to have ready-made safe structure, without additional costs and time.  
Ericsson Italian Headquarters, Genoa.



## YOUR BENEFITS

– **No extra fire-treatment** is required because NPS® has integrated fire resistance up to 180 mins.

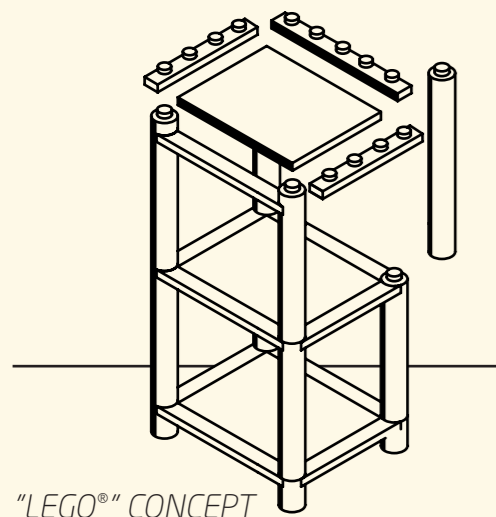
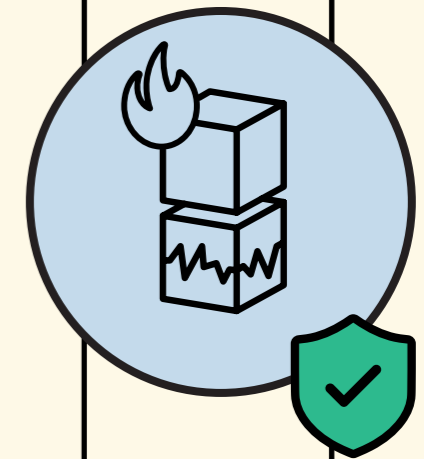
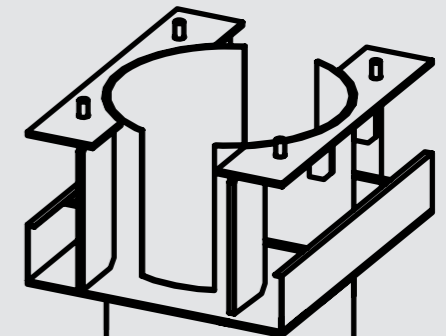
– **Lower costs and less activities on site** for an even faster and more efficient construction.

– **Validated high knowledge in seismic**.

– **Lower economic losses** in building in case of earthquakes.

– **Full design service** is included in the NPS® supply.

– **Final designs are realized and signed by Tecnostrutture**.

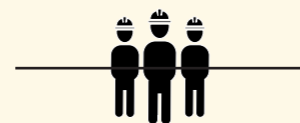


“LEGO®” CONCEPT

>



TRADITIONAL SYSTEM



NPS® SYSTEM

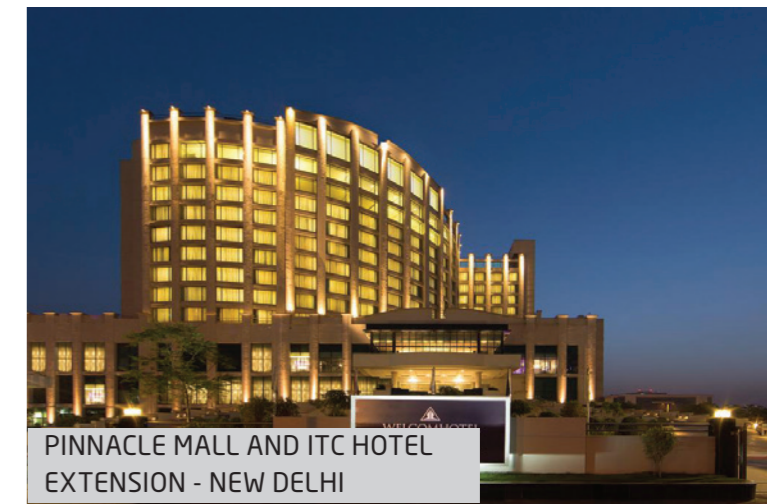
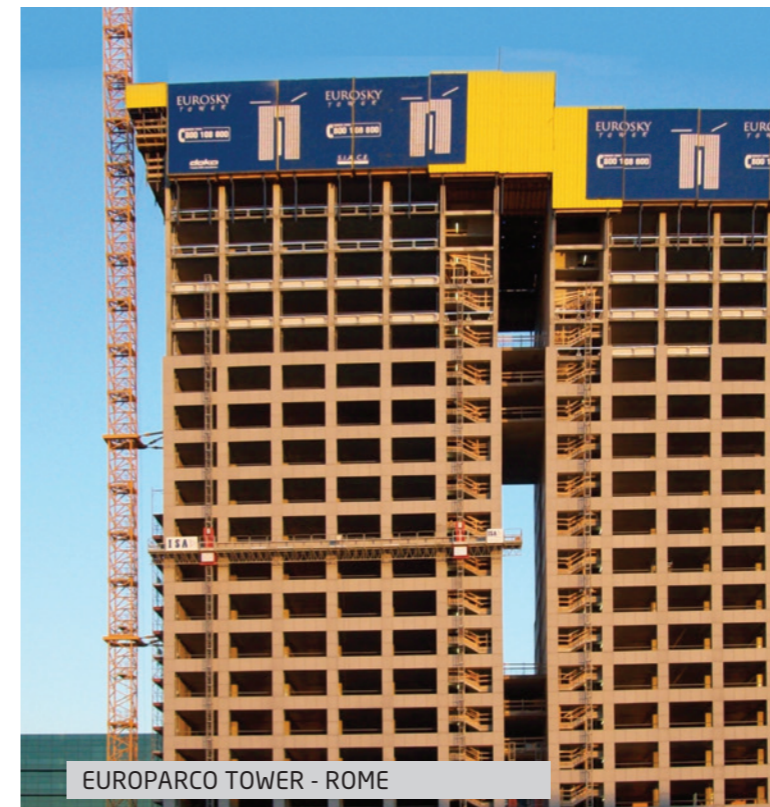


# WHO HAS USED NPS®

OVER 15.000 PROJECTS SINCE 2001

## NPS FRAME FOR EVERY BUILDING TYPE:

- HOSPITALS
- CAR PARKS
- SHOPPING MALLS
- HOTELS
- INFRASTRUCTURES





# CHOOSE NPS®: THE TURN-KEY SUPPLY

CONSISTING IN CONSULTING,  
DESIGN, STRUCTURES  
AND INSTALLATION.

## TECHNICAL TOOLS DEDICATED TO DESIGNERS



Beam pre-dimensioning  
and .ifc files with the free  
Easy NPS® software.



Tekla and Revit  
BIM Objects



Online design  
software for NPS®



Modelling interface  
for FEM design softwares



Technical consulting



Technical material

## YOUR BENEFITS

– **Full design service is included**  
in the NPS® supply.

– **Final designs are realized**  
and signed by Tecnostrutture.

– **We bear the responsibility**  
for the structure static design,  
one issue less for you and your team.

– **Close work with your designers**  
for **highly customized technical**  
**assistance**.

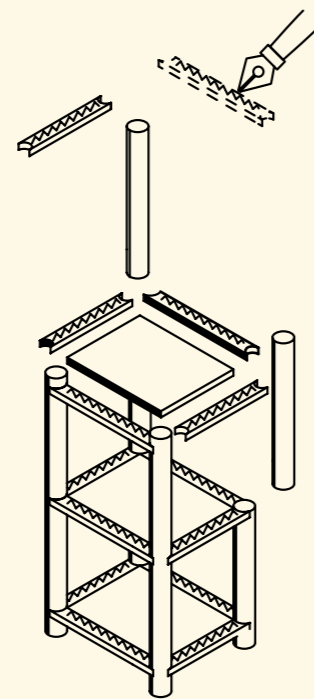
– **Your designers may work even**  
**more efficiently**, counting  
on the support of Tecnostrutture  
technical team.

– **All-around dedicated support:**  
from finding the most effective  
solution to the installation assistance.



NEW PERFORMANCE SYSTEM

## STANDARD NPS® SUPPLY



+ Optimizing solution  
to your needs

+ Pre-dimensioning  
of NPS® elements

+ Modelling  
of the structures

+ Final drawings

+ Production in  
Tecnostrutture factory

+ Delivery to the  
construction site

+ Assistance  
for installation

## New Performance System

Only single supplier for  
your structure for easy  
project management.

## Credits:

Project Management and texts:  
Giulia Daniele,  
Marketing and Communications,  
Tecnostrutture srl.

Art direction,  
concept & graphic:  
OAF design  
[www.oaf.design](http://www.oaf.design)

Printed 1.2018.1000  
Grafiche Manzanesi  
[www.grafman.it](http://www.grafman.it)

For over 30 years, Tecnostrutture s.r.l. has been leader in designing and manufacturing composite structures. In 2013 the company developed a new composite technology: NPS® New Performance System, that represents now the core business of the company. Tecnostrutture is a member of the Italian Association of Seismic Engineering - Ingegneria Sismica Italiana - and supporting member of EUCENTRE - European Centre for Training and Research in Earthquake Engineering. It is also member of Green Building Council Italia, organisation made up of businesses and organisations working in the building and construction industry with the mission to create green buildings for everyone.

**Registered office  
and headquarter**

Via Meucci, 26  
I-30020  
Noventa di Piave (VE)  
T. +39 0421 570 970  
F. +39 0421 570 980

[com@tecnostrutture.eu](mailto:com@tecnostrutture.eu)  
[www.tecnostrutture.eu](http://www.tecnostrutture.eu)

**Germany and Central Europe  
representative office**

PO Box 164163  
D-45221  
Essen  
T. +49 201 4902 0176

[sales@tecnostrutture.eu](mailto:sales@tecnostrutture.eu)  
[www.tecnostrutture.eu](http://www.tecnostrutture.eu)

